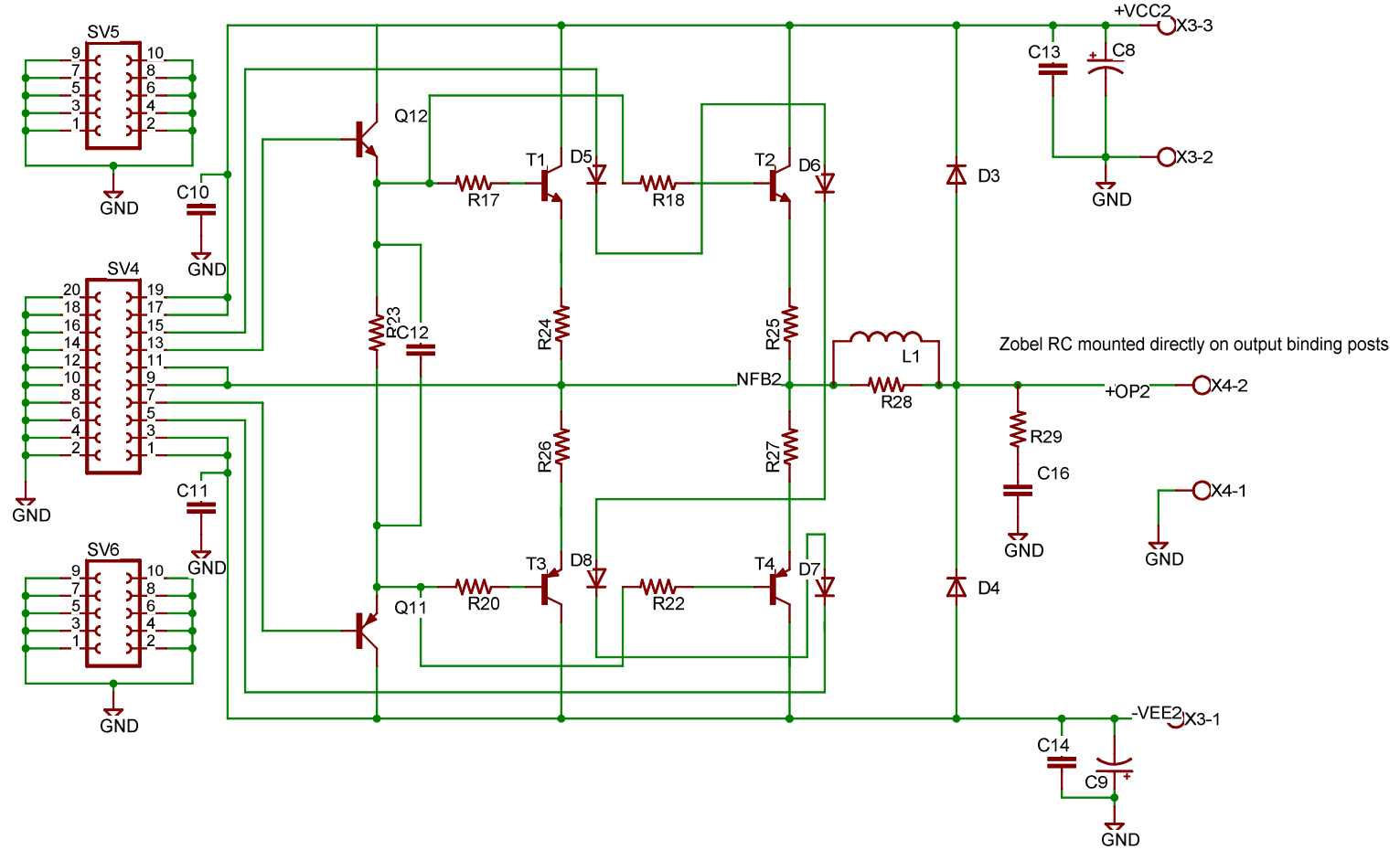


Power Board for 3-Lead TO-264 BJT



Proprietary

Copyright © 2009 Panson Audio Labs

Panson Audio

TITLE: Initial_PowerBoard_rev3p2

Document Number:

REV:
3.2

Date: not saved!

Sheet: 2/2