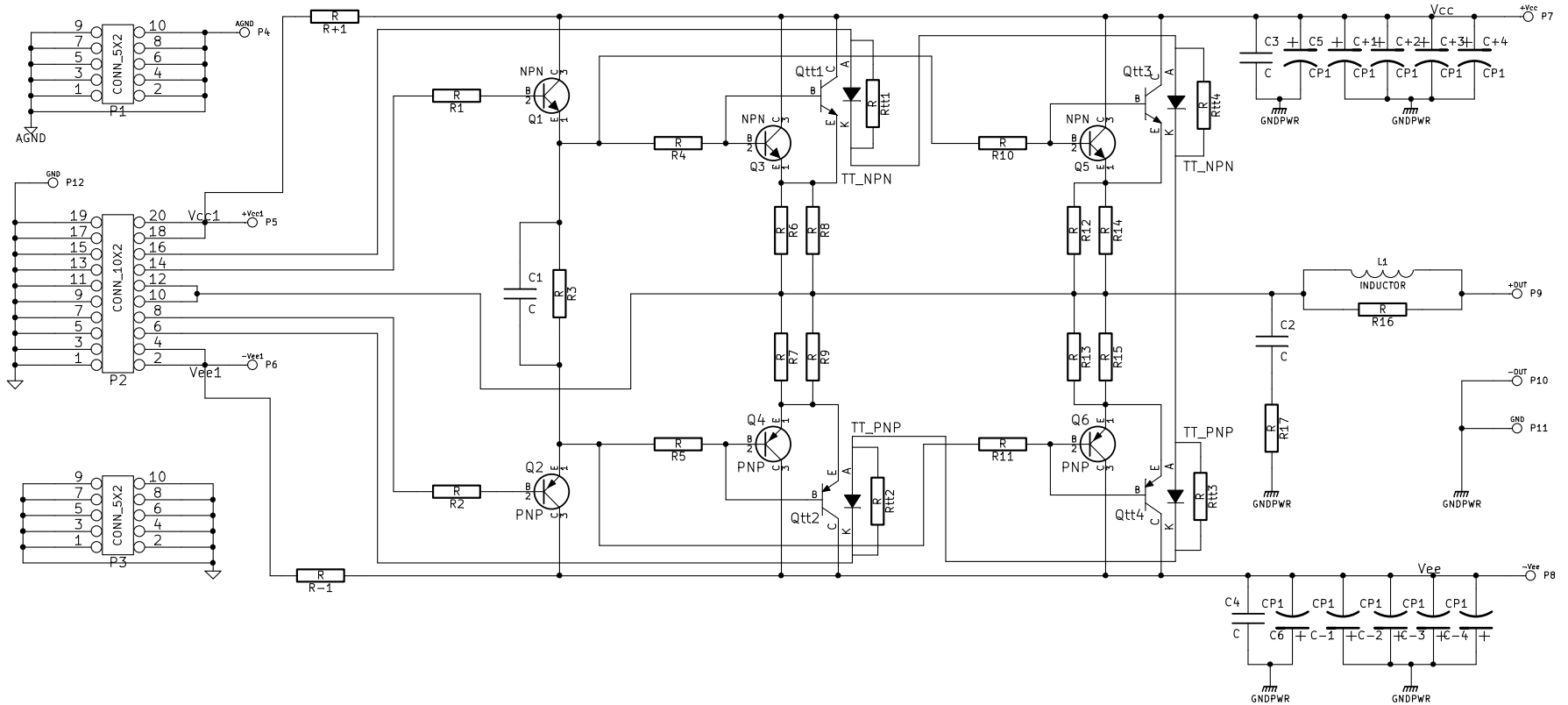


Initial Power Board for 3/5-Lead TO-264 and MT-200 Output Devices in EF Configuration



File: file4C15A5C7.sch		Sheet: /EmitterFollower/	
Title:			
Size: A4	Date: 15 jul 2010	Rev:	
KiCad E.D.A. eeschema (2010-05-05 BZR 2356)-stable			Id: 2/2